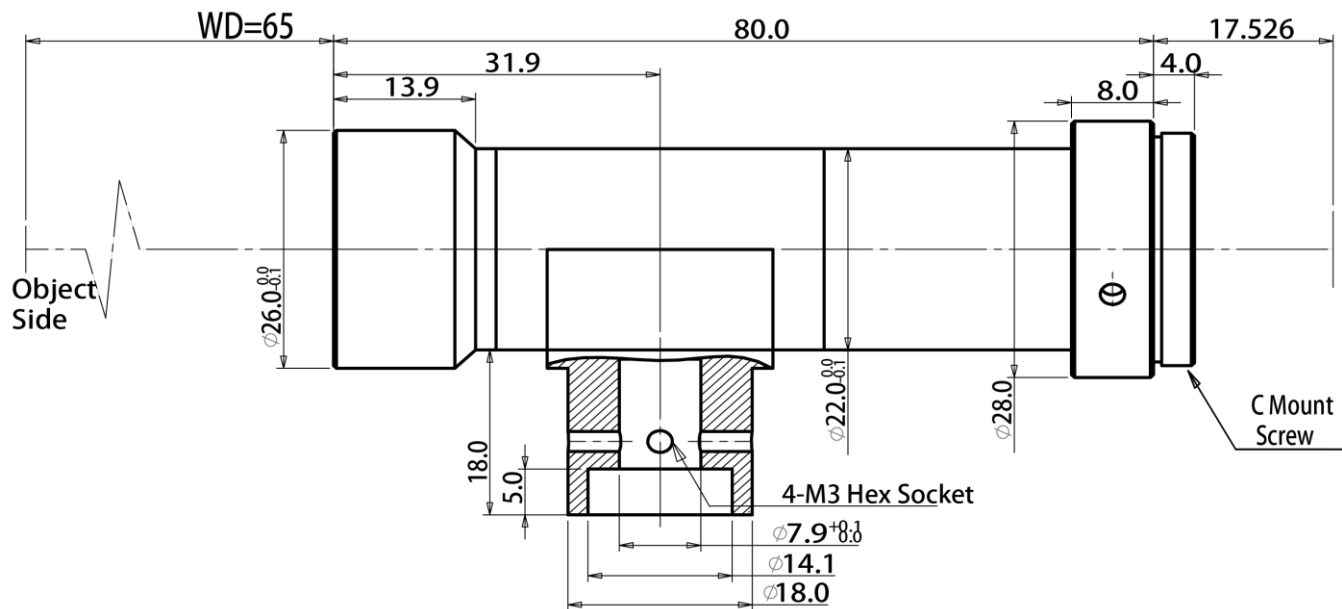


2.0x Megapixel Telecentric Lens WWH20-65CT



Model	WWH20-65CT	
Magnification	2.0x	
WD	65±3	
DOF	0.28	
Resolution	4.6µm	
Telecentricity	≤0.005°	
Distortion	≤0.2%	
Optical Structure	Telecentric in object side	
Max compatibles Detector Area	2/3"	
Mount	C-Mount	
Length	80.0	
FOV	1/3"	2.4X1.8
	1/2"	3.2X2.4
	1/1.8"	3.6X2.6
	2/3"	4.4X3.3